

* = optional flue gas outlet ϕ 130mm

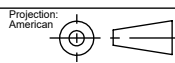
* = optional air inlet ϕ 80mm

barbas

Barbas Bellfires B.V.
Hallenstraat 17
5531 AB Bladel
The Netherlands
www.barbasbellfires.com

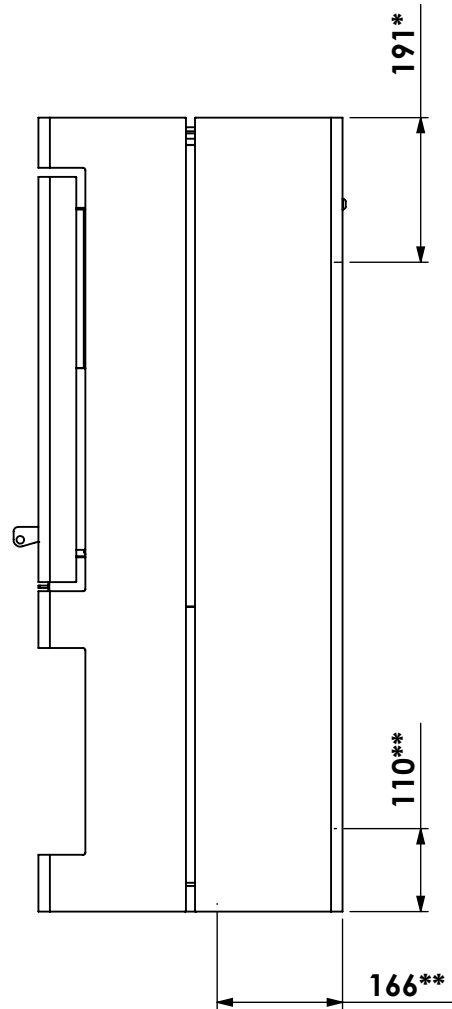
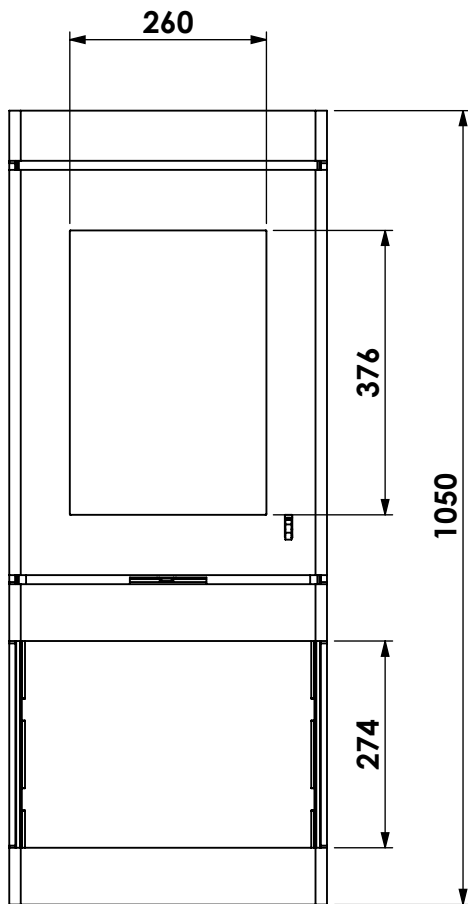
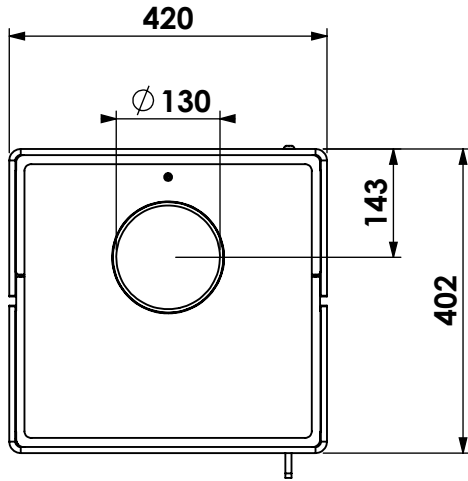
Name: **BOX 35-40-105**

Modifications reserved



Scale: 1:15
Unit: mm

Version: 0



* = optional flue gas outlet $\varnothing 130\text{mm}$

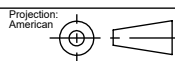
** = optional air inlet $\varnothing 80\text{mm}$

barbas

Barbas Bellfires B.V.
Hallenstraat 17
5531 AB Bladel
The Netherlands
www.barbasbellfires.com

Name: **BOX 35-40-105**

Modifications reserved



Scale: 1:15
Unit: mm

Version: 0