

zonder voetstuk (op maat gemaakt door eindgebruiker)
without base (custom-made by end-user)

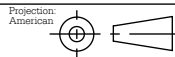
* = optional air inlet \varnothing 125 mm
** = height INCL optional air inlet
*** = height EXCL optional air inlet

barbas

Barbas Bellfires B.V.
Hallenstraat 17
5531 AB Bladel
The Netherlands
www.barbasbellfires.com

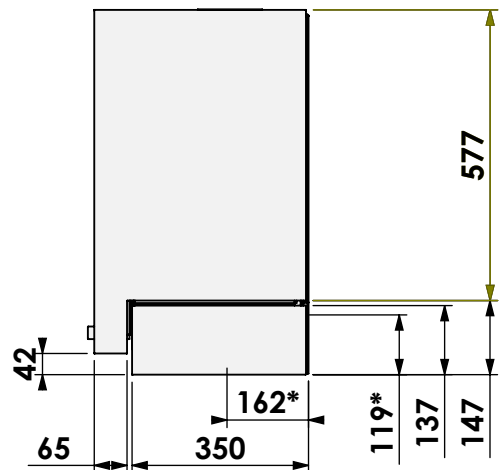
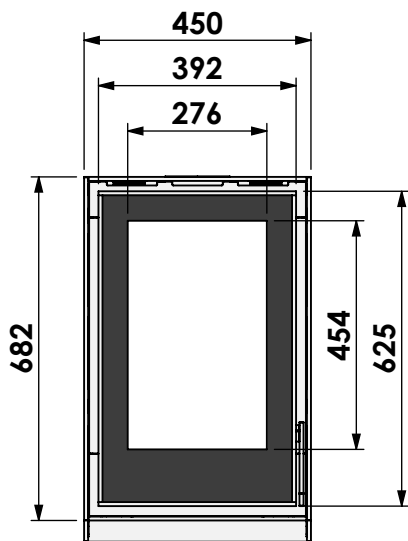
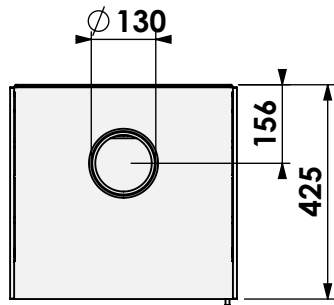
Name: **BOX²⁵ 45**

Modifications reserved



Scale: **1:15**
Unit: **mm**

Version: **0**



stalen voetstuk
steelbase

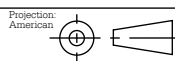
* = optional air inlet \varnothing 125 mm

barbas

Barbas Bellfires B.V.
Hallenstraat 17
5531 AB Bladel
The Netherlands
www.barbasbellfires.com

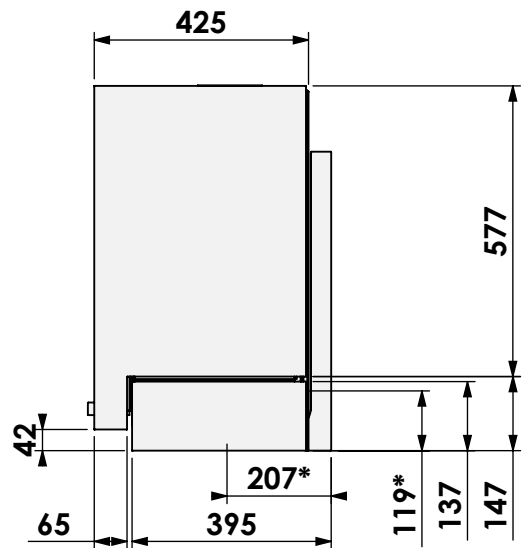
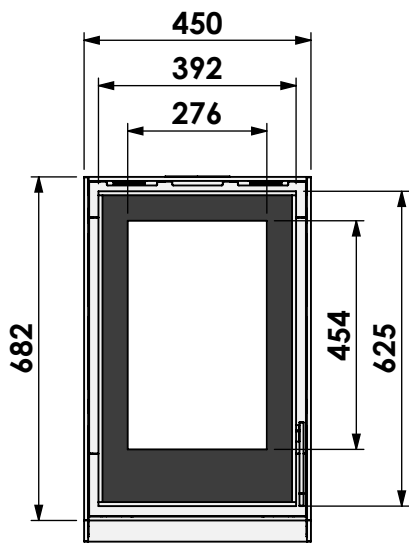
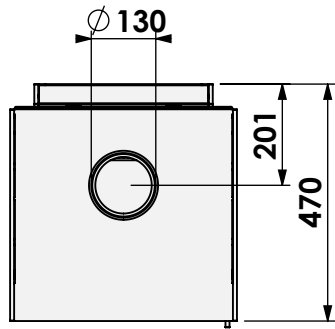
Name: **BOX²⁵ 45**

Modifications reserved



Scale: **1:15**
Unit: **mm**

Version: **0**



hanghaard
hanging

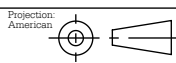
* = optional air inlet \varnothing 125 mm

barbas

Barbas Bellfires B.V.
Hallenstraat 17
5531 AB Bladel
The Netherlands
www.barbasbellfires.com

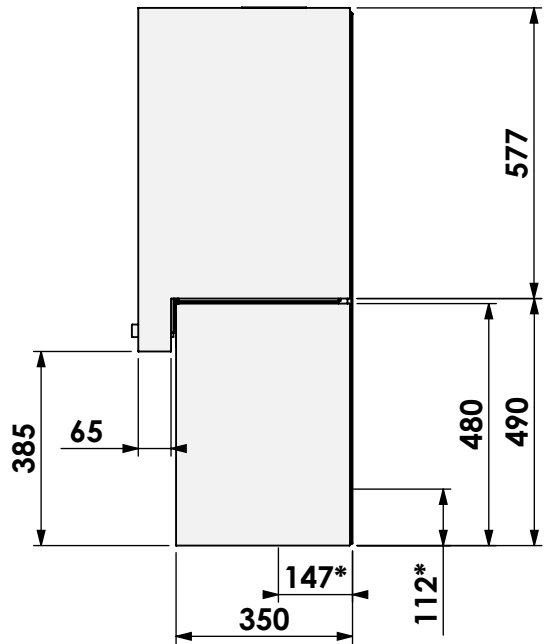
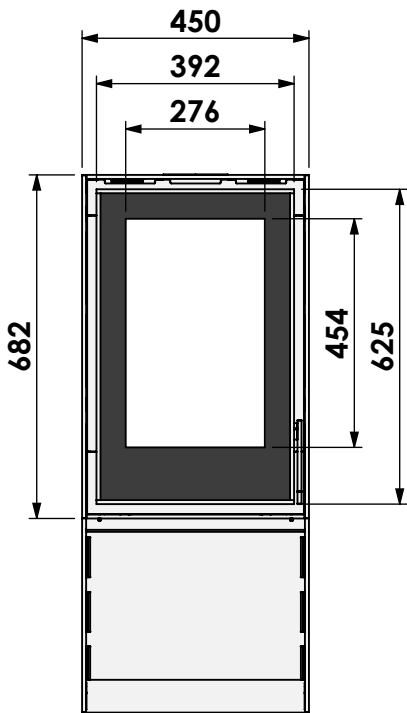
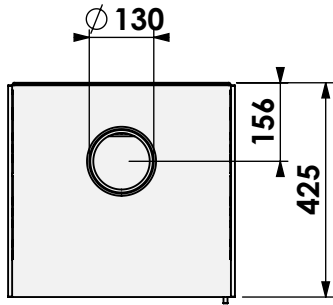
Name: **BOX²⁵ 45**

Modifications reserved



Scale: **1:15**
Unit: **mm**

Version: **0**



houtopslagmodule
wood log storage module

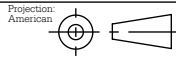
* = optional air inlet \varnothing 125 mm

barbas

Barbas Bellfires B.V.
Hallenstraat 17
5531 AB Bladel
The Netherlands
www.barbasbellfires.com

Name: **BOX²⁵ 45**

Modifications reserved



Scale: **1:15**
Unit: **mm**

Version: **0**